

Module type **CS-02-BB4** And **CS-02-BB4-3P**

CS-02-BB4 Controller - Up to four fans or three fans and Gas Pressure Proving (Optional)

CS-02-BB4 unit is our stand-alone interlock and gas pressure proving system which can be used in any catering application. It will interlock up to 4 separate fans or up to 3 fans plus gas pressure proving to meet BS6173:2009.

This product has a number of selectable inputs. These can be used to monitor up to four separate fans to 10A FLC max (a 20Amp upgrade is also available). There is an option to add gas pressure proving in place of one single or three phase fan with a simple single button setup.

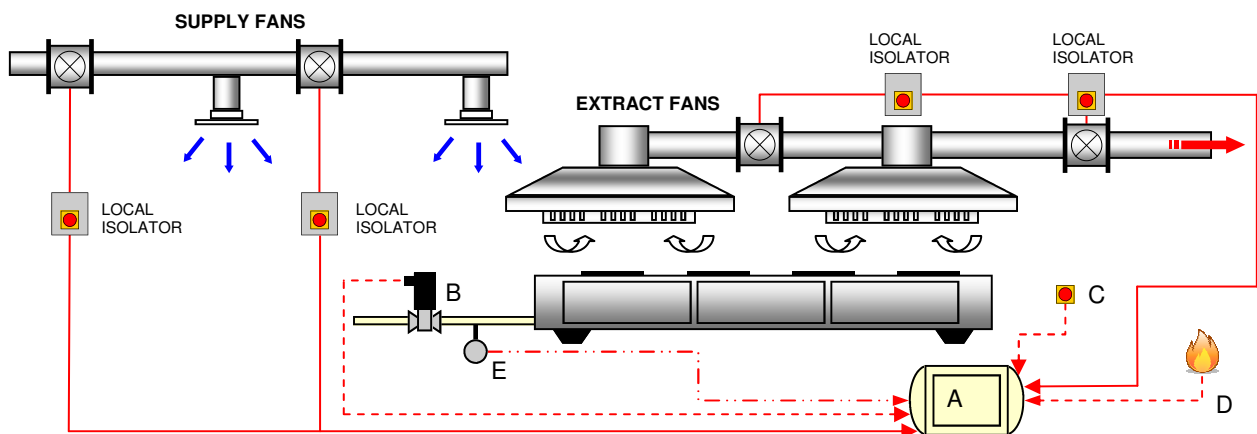


Model Type	Model	Description
	CS-02-BB4	Controller - Four fans unit (optional Three fans + GPP)
	CS-02-BB4-3P	Controller - Four fans unit (optional Three fans + GPP) 3 Phase

Technical Data		
Power supply	240Vac	50Hz (L,N,& E)
Number of sensor channels	Four	
Current rating of monitor	1 to 100Amp	(Remote head sensor)
Voltage range of fans	Single phase (240Vac) or three phase 415Vac	
Gas valve output	240Vac (L,N & E)	
Fire alarm input	Volt-free to open on alarm	
Remote knock-off	Volt-free to open on activation	

Typical Application - Extract Fan Canopy

- A = CaterSense - 02-BB4
- B = Gas Valve
- C = Remote knock-off
- D = Fire alarm
- E = Gas pressure sensor (Optional)



Wiring Diagram

The CaterSense system has two sets of terminals all mounted along the top edge of the main PCB circuit board.

Terminals 1 to 12 are the smaller terminals (1.5 mm² cable) and are used for the sensors, internal inter-locking devices, remote knock off and fire alarm (screened cable to be used).

Terminals 29 to 34 are the larger terminals (4 mm² cable) and are for the power connections for the gas valve and power supply to the unit.

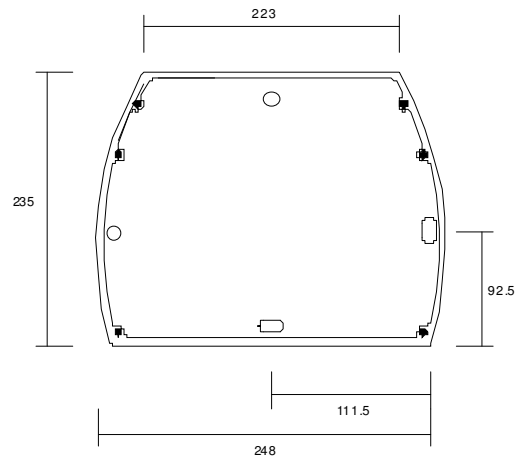
The terminals are of the rising clamp type protection.



Fitting Instructions

The **CaterSense - 02 - BB4** unit has six (6) mounting holes which can be used (as shown)

Note: Ensure that the enclosure is mounted on a clean and level surface away from the direct cooking area or surfaces.



Ancillary Products

Remote Knock-off Buttons



- RKPB-01 Knock-off
- RKPB-02 Key
- RKPB-03 Key + Shroud

Remote Sensors



- CS-GPS-01
- Gas Pressure Sensor

Gas Valves



- Solenoid Valves
- 1/2" to 2-1/2" BSP



This symbol on this product or the package indicates that disposal of this product after its lifecycle could harm the environment. DO NOT dispose of this product (or batteries if used) as unsorted municipal waste. It should be disposed by a specialised company for recycling. This product should be returned to your distributor or to a local recycling service. Respect the local environment rules.