

PM-ic Power Monitor

PM-ic unit is our (gas ventilation interlock) fan power monitor for use in the commercial catering sector to meet BS6173:2009.

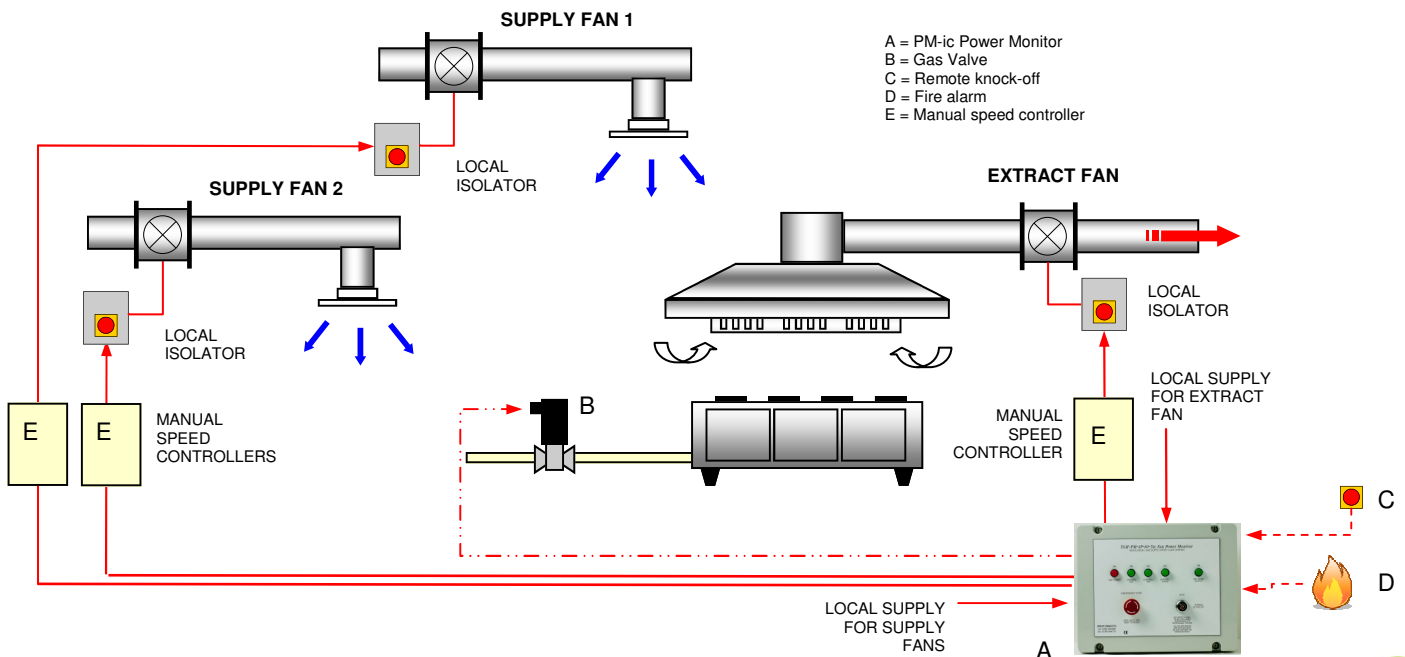
This product is available in a number of versions, from 3 or 4 fans and 10 to 20 Amp FLC single and three phase.



Model Type	Model	Description
	PM-XX-XX-3ic	Power Monitor - Three fans
	PM-XX-XX-4ic	Power Monitor - Four fans

Technical Data		
Power supply	240Vac 50Hz (L,N,& E)	
Number of fan channels	Three or Four	
Current rating of monitor	10 or 20Amp	
Voltage range of fans	Single phase (240Vac) or three phase 415Vac	
Gas valve output	240Vac (L,N & E)	
Auxiliary output	240Vac (L,N & E) or volt-free	

Typical Application - Supply & Extract Fan Canopy

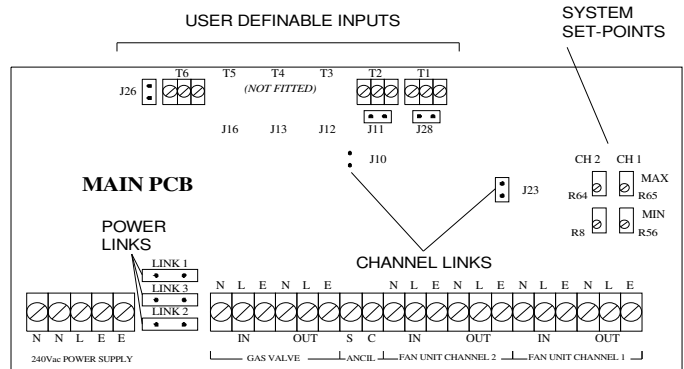


Wiring Diagram

Terminals T1, T2 & T6 are the smaller terminals (1.5 mm² cable) and are used for the inter-locking devices such as “fire alarm” and “remote knock-off units”. (Screened cable must be used BELDEN 8723 or equivalent recommended)

Power Terminals are the larger terminals (4 mm² cable) and are for the power connections for the fans, gas valve and power supply to the unit.

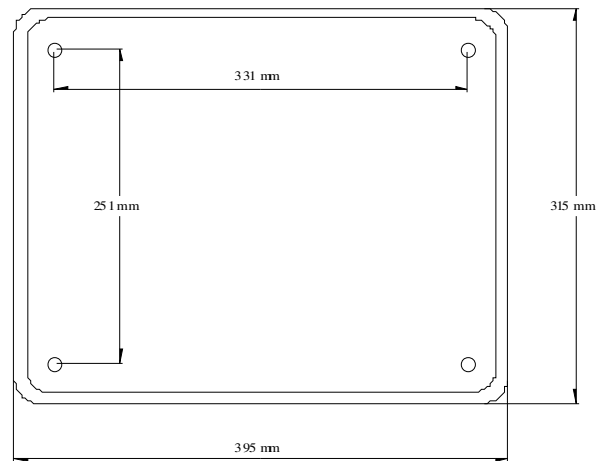
The terminals are of the rising clamp type with protection.



Fitting Instructions

The **PM-ic** unit has four (4) mounting holes which can be used.

Note: Ensure that the enclosure is mounted on a clean and level surface away from the direct cooking area or surfaces.



Ancillary Products

Remote Knock-off Buttons



RKPB-01 Knock-off

Key Activation & Shrouds



RKPB-02 Key
RKPB-03 Key + Shroud

Gas Valves



GV Valves
1/2" to 2-1/2" BSP



This symbol on this product or the package indicates that disposal of this product after its lifecycle could harm the environment.
DO NOT dispose of this product (or batteries if used) as unsorted municipal waste. It should be disposed by a specialised company for recycling.
This product should be returned to your distributor or to a local recycling service.
Respect the local environment rules.