

VariSense - Boiler house / plant room Interlock panel

The **VariSense** gas safety panel is designed to meet today's ever-changing and stringent requirements - e.g. IGEM/UP/11.

This unit is supplied fully tested and no commissioning is required.



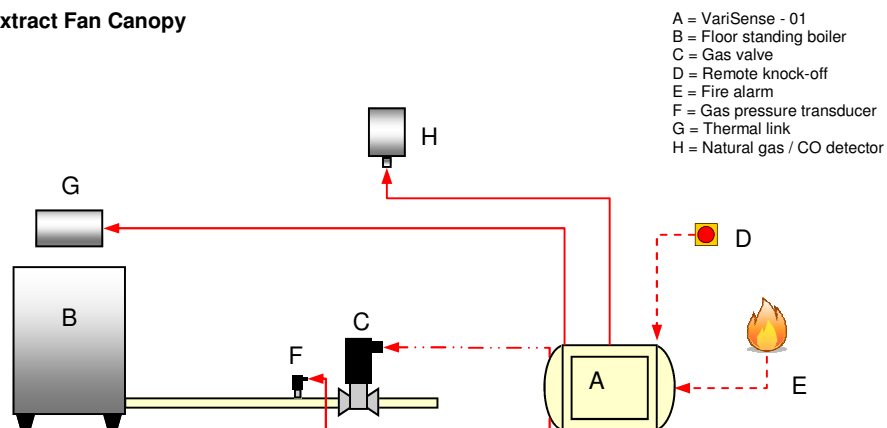
Model Type

Model	Description
VariSense - 01	Controller with 2 sensor inputs
VariSense - 02	Controller with 4 sensor inputs
VariSense - 03	Controller with 8 sensor inputs

Technical Data

Power supply	240Vac 50Hz (L,N,& E)
Gas valve output	240Vac (L,N & E)
Fire alarm input	Volt-free to open on alarm
Remote knock-off	Volt-free to open on activation
Thermal Links	Volt-free to open on alarm
Sensor inputs	Up to 8 sensor inputs, ability to interface with monitors, gas detectors and sensors in the Trent Product range.
Auto Reset	The system will automatically reset in the event of a power cut to prevent frost damage. (For boiler house applications see HSE document PM5 and BS5885)
Interfaces	Can interface with the BMS system and various other options.

Typical Application - Extract Fan Canopy



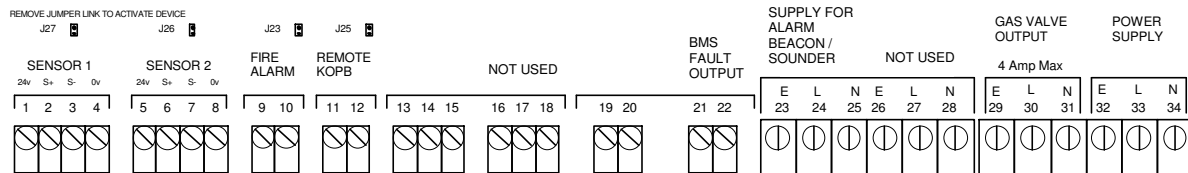
Wiring Diagram

The VariSense system has two sets of terminals all mounted along the top edge of the main PCB circuit board.

Terminals 1 to 22 are the smaller terminals (1.5 mm² cable) and are used for the sensors and inter-locking devices. (Screened cable must be used BELDEN 8723 or equivalent recommended)

Terminals 23 to 34 are the larger terminals (4 mm² cable) and are for the power connections for the gas valve and power supply to the unit.

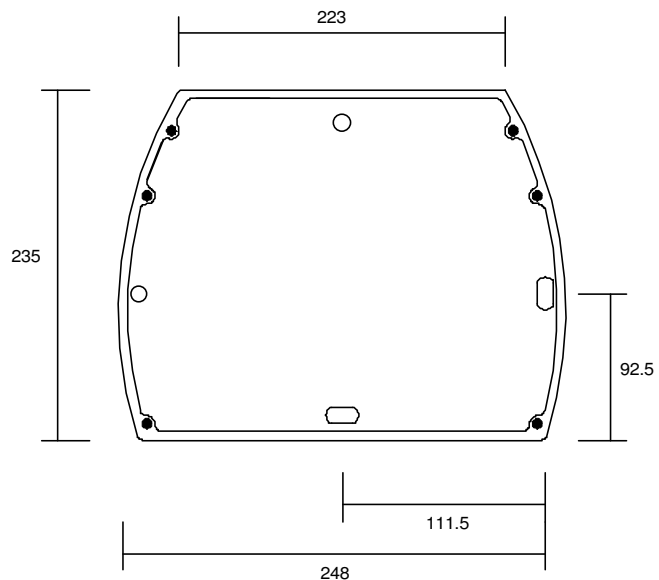
The terminals are of the rising clamp type protection.



Fitting Instructions

The **VariSense** unit has four (4) mounting holes which can be used (as shown)

Note: Ensure that the enclosure is mounted on a clean and level surface.



Ancillary Products

RKPB-01 Knock-off push button
 RKPB-02 Key knock-off push button
 RKPB-03 Key + Shroud knock-off push button
 CS-GPS-01 - Gas Pressure Sensor
 GV Valves - 1/2" to 2-1/2" BSP
 VS-CO-01 - Carbon Monoxide detector
 VS-NGS-01 - Natural Gas detector
 VS-FAB-01 - Fire alarm bypass module
 VS-TL - Thermal links
 ETC.



This symbol on this product or the package indicates that disposal of this product after its lifecycle could harm the environment.
 DO NOT dispose of this product (or batteries if used) as unsorted municipal waste. It should be disposed by a specialised company for recycling.
 This product should be returned to your distributor or to a local recycling service.
 Respect the local environment rules.