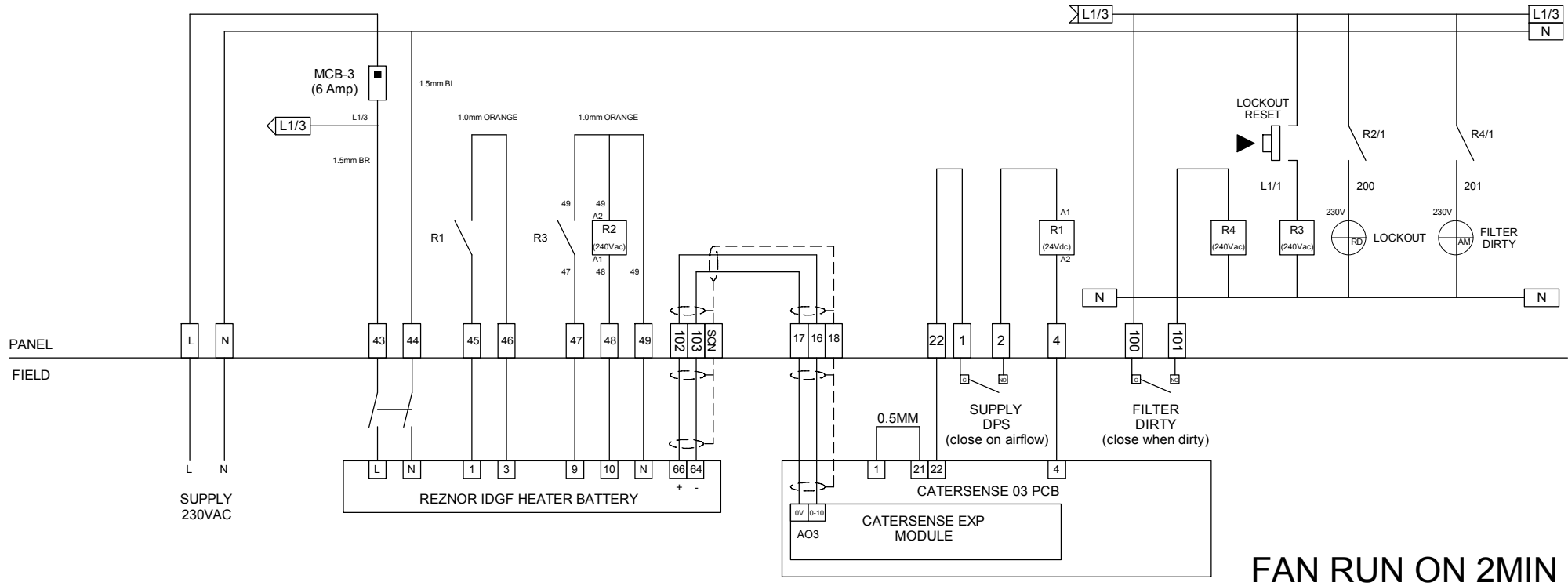


# REZTOR CONTROL BOX



FAN RUN ON 2MIN

IDGF HEATER BATTERY	TITLE
MCB	STARTER TYPE
TBA	POWER KW
TBA	FULL LOAD CURRENT
TBA	STARTING CURRENT
SIEMENS 5SY6 106-8	MOTOR BREAKER or MCB
N/A	CONTACTOR TYPE
N/A	OVERLOAD RANGE
2.5 - 4mm	TERMINAL SIZE

**TRENT**  
ENERGY  
SYSTEMS LTD

A TRENT MEMBER COMPANY

CUSTOMER

PANEL DESCRIPTION

REZTOR CONTROL BOX  
KITCHEN CONTROL PANEL

DRAWING No:

TCP XXXXX - REZ - P01

DRAWN BY

DATE:

CHECKED BY

ST

07/09/12

JH-P